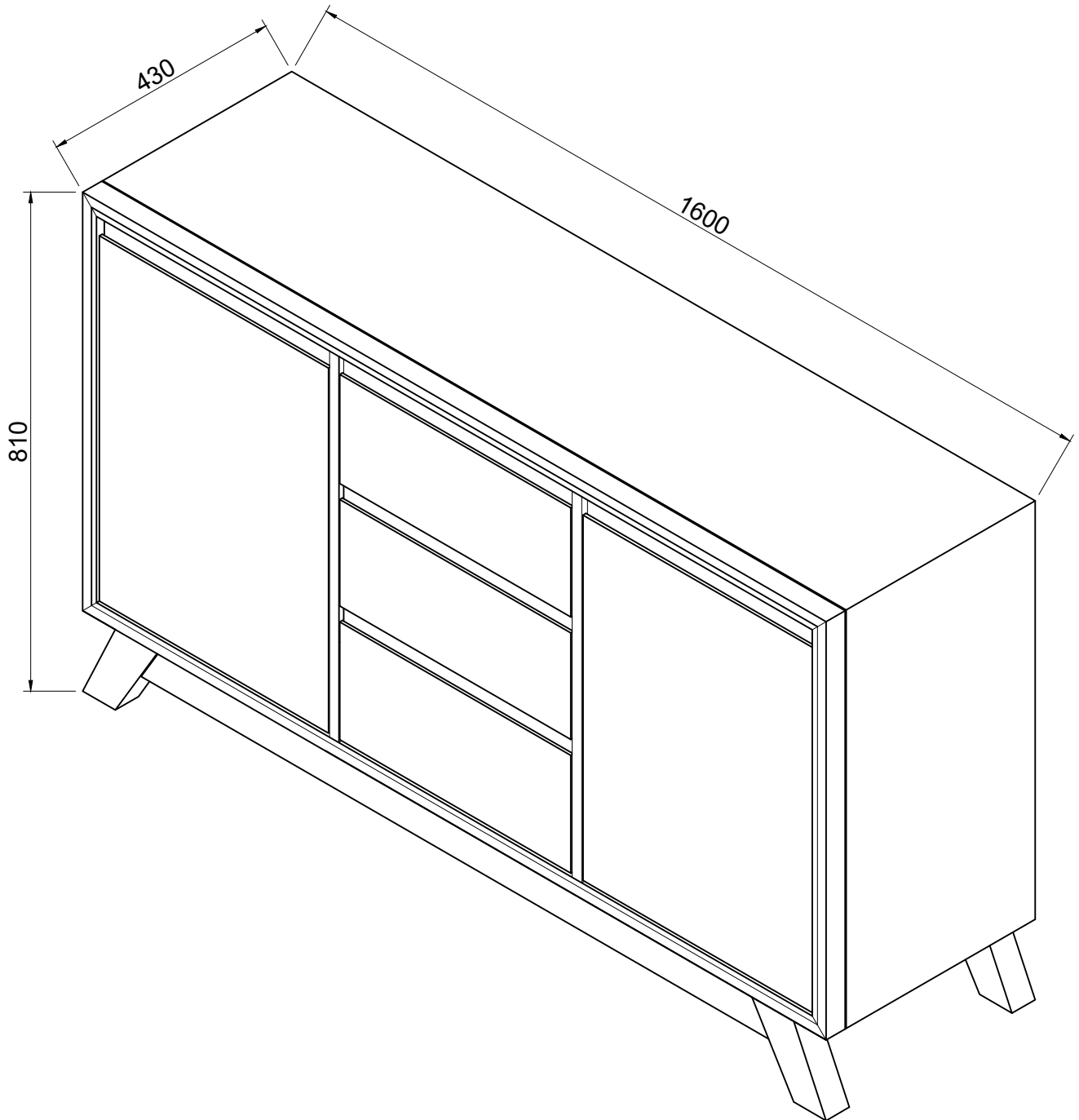


**ASSEMBLY INSTRUCTION
TULUM BUFFET
ITEM CODE - 72537.**

Imported by Amart Furniture Pty Ltd, Qld, Brisbane Australia.
For any assistance to assemble or for missing parts please phone
Amart Furniture, Customer Service Freecall 1800 351 084.

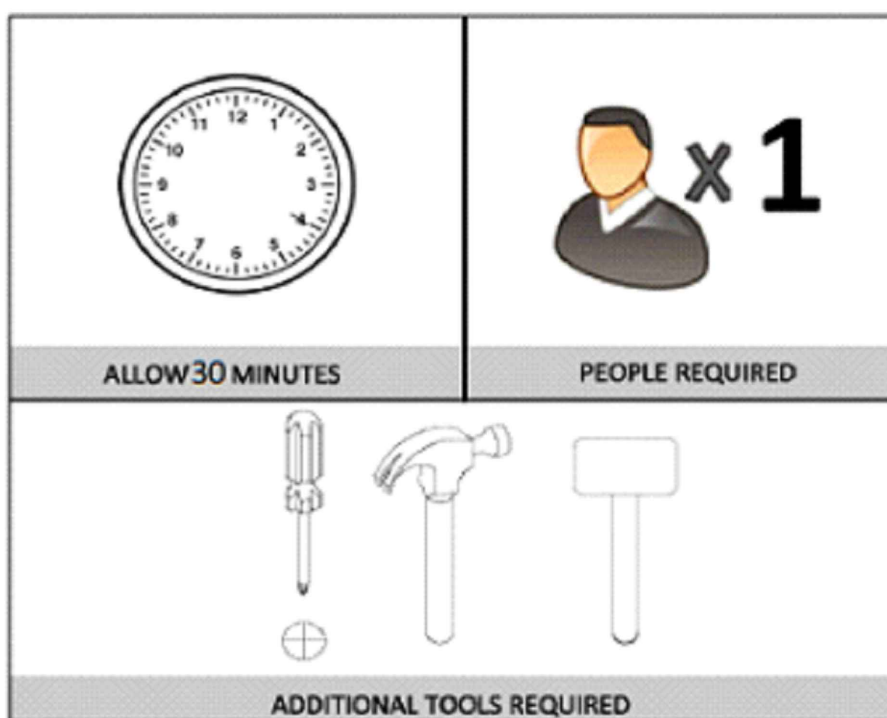


Imported by Amart Furniture Pty Ltd, Qld, Brisbane Australia.
For any assistance to assemble or for missing parts please phone
Amart Furniture, Customer Service Freecall 1800 351 084.

PRE-ASSEMBLY PREPARATION

Before you start:

1. Choose a clean, level, spacious assembly area. Avoid hard surfaces that may damage the product.
2. Take care when lifting. Product should be assembled as near as possible to the point of use.
3. Ensure that you have all required contents for complete assembly.
4. Always read the assembly instructions carefully before beginning assembly.
5. Keep all hardware parts and packaging out of reach of small children.
6. Do not over tighten the screws and bolts as this may damage the threads.



		TIPPING WARNING		
		<p>Serious or fatal injuries may occur from furniture toppling over. To help avoid this please follow the below recommendations:</p> <ul style="list-style-type: none">• Install the provided " Tipping Kit " as per the instructions• Never allow children to climb on or hang off of any part of this product• Unless specifically designed to accommodate , do not set TVs or other heavy objects on top of this product <p>If this product has drawers :</p> <ul style="list-style-type: none">• Place the heaviest items in lower drawers• Do not open more than 1 drawer at a time as this may cause the product to become unbalanced• Do not temper with or remove any drawer interlocking / running system <p>Note : The use of the provided " Tipping Kit " may reduce but not necessarily eliminate the risk of furniture toppling over. Please use this product with caution .</p> <p><i>This is a permanent label . Do not attempt to remove !</i></p>		

SAFETY BRACKETS INSTRUCTIONS

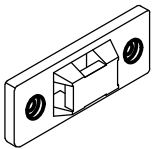
1. Attach one Mounting Plate to the wall with the Large Screws. Make sure to attach the Mounting Plate into a stud. If mounting into brick or masonry you will need to acquire wall anchors.
2. Attach the second Mounting Plate to the furniture frame with the Short Screws.
3. Move the furniture to its final position. Thread a Wall Strap through the both Mounting Plates and tighten until snug. Do not over tighten.

NOTE

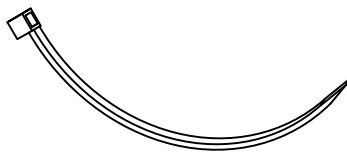
- This product must be fixed to a wall.
- As wall materials vary, screws and wall fixings are not always included.
- Make sure fixings are attached to a wall stud.
- If mounting onto brick or masonry you will need to acquire wall anchors.
- Consult your local hardware specialist on what wall fixing is appropriate.
- Check for plumbing or electrical wiring behind wall surfaces before commencing.

Ensure the correct wall fixings are used. Failure to do so may result in personal injury or cause property damage if the product topples over.

HARDWARE



Mounting Plate x 4



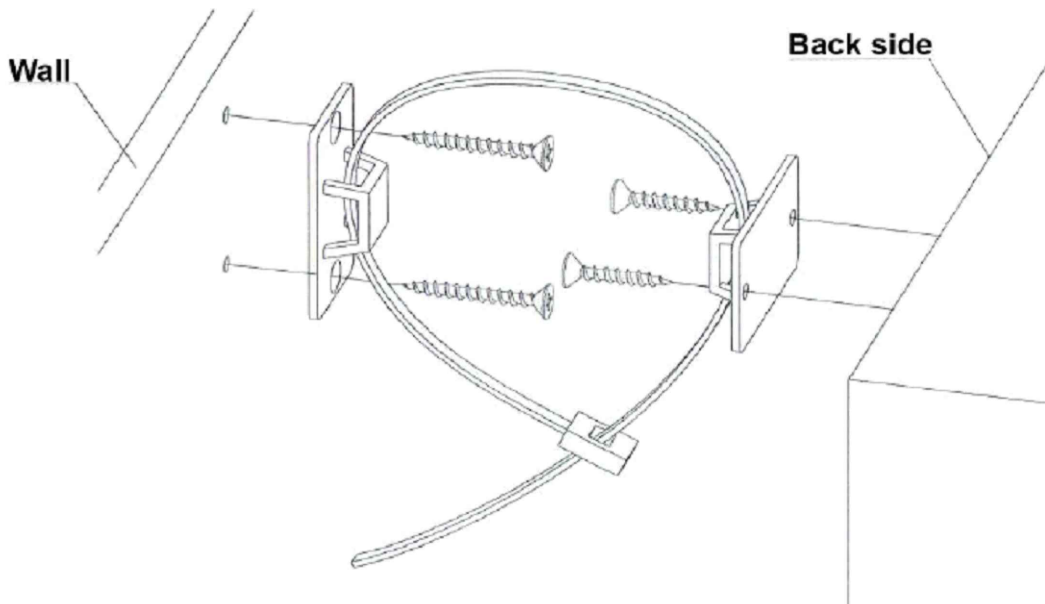
Wall Strap x 2



Large Screw x 4



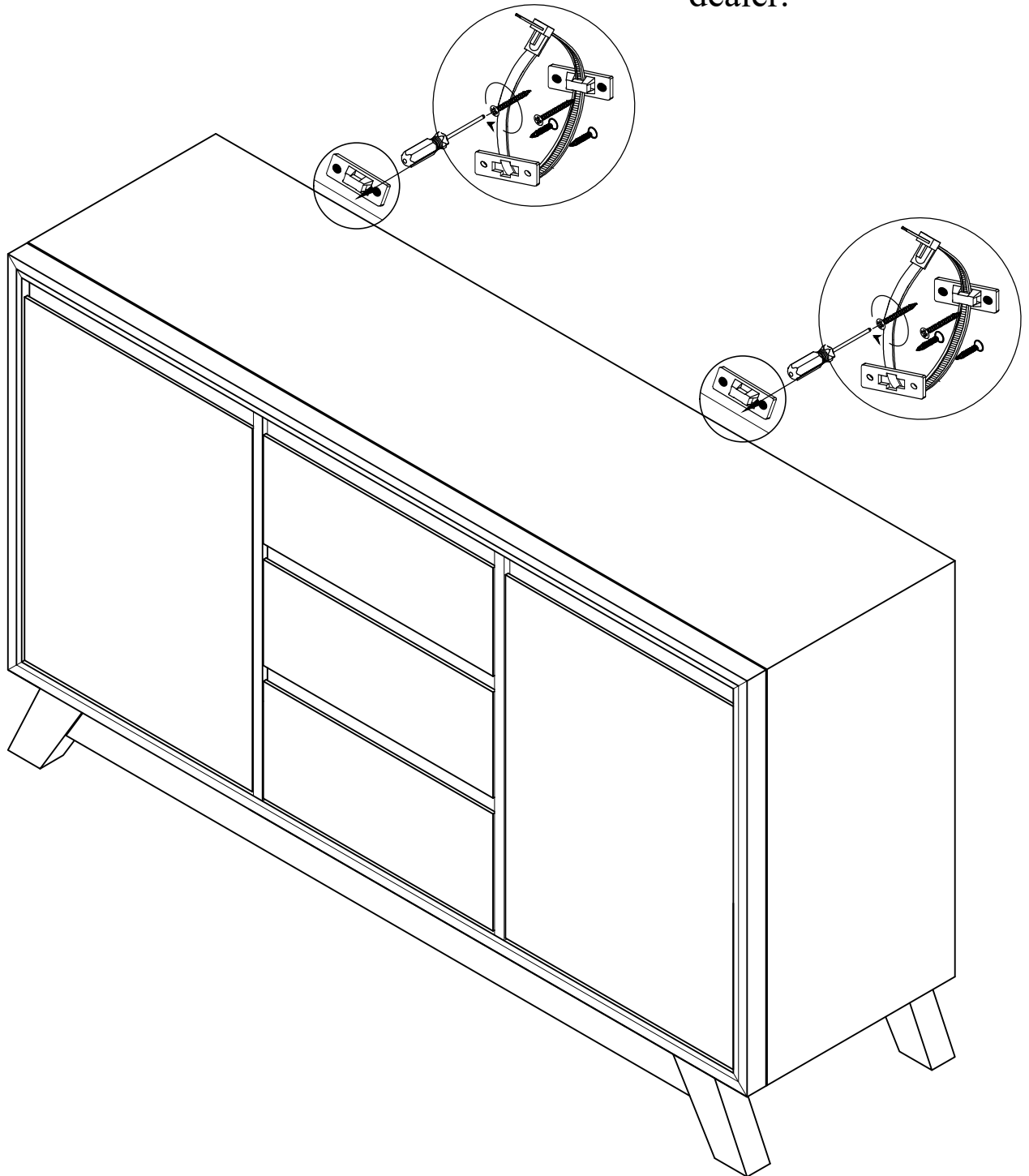
Small Screw x 4



ASSEMBLY IS COMPLETE

! As wall materials vary, screws for fixing to wall are not included.

For advice on suitable screw systems, contact your local specialised dealer.



72537

Congratulations! You have just purchased a quality product from Super Amart, Australia's largest discount furniture retail store. Please read on for important information regarding your purchase...

A multi-step finish is applied to all our furniture, but all wood comes from nature. Because of this, there will be natural variations in surface texture and grain like knots, mineral streaks and sap runs that may affect the finish.

These differences in character are not defects, but distinctions that make each piece of furniture unique.

Our furniture is built to last. Following these steps for basic care should protect your investment for years to come.

Dust frequently with a clean damp lint-free cloth. This will help remove abrasive build up which can damage a finish over time.

Do not place hot objects on any furniture surface. Always use a hot plate or placemat. Laminate and lacquer finishes on table tops provide added scratch and heat resistance to our furniture, but they can still be damaged without proper care.

Avoid exposing your furniture to strong sunlight, heat outlet, open windows or dampness. Prolonged exposure to direct sunlight can fade the finish of your furniture, while extreme temperature and humidity changes can cause cracking or splitting.

Do not expose your furniture to any liquids. Never allow water to sit on your furniture. Alcohol, nail polish and perfume are also dangerous as they will dissolve the lacquer finish on contact and may require professional repairs.

Do not allow plastic to come in direct contact with your furniture. Chemicals in the plastic of placemats etc may soften and mark the finish if left in contact with the furniture for a period of time.